

Supplement

Tektronix

**WX Option
for the TMS818 PCIExpress Support
071-1646-00**



Copyright © Tektronix, Inc. All rights reserved.

Tektronix products are covered by U.S. and foreign patents, issued and pending. Information in this publication supercedes that in all previously published material. Specifications and price change privileges reserved.

Tektronix, Inc., P.O. Box 500, Beaverton, OR 97077

TEKTRONIX and TEK are registered trademarks of Tektronix, Inc.

WX (Wireless Extension) Option

Use the *TMS817/818 PCIExpress Support Manual (071-1214-XX)* along with the following information when using the WX option product.

Overview

Preprocessor units with the WX option can support x1, x2, and x4 links. All modes listed in the *TMS817/818 PCIExpress Support Manual (071-1214-XX)* in *Table 1-4 Preprocessor unit settings* are the same for WX equipped preprocessor units, except for the Ext Clock and Self Test settings. The standard TMS817/818 support package software supports the WX acquisitions with no modifications.

External Clocking

The clocking options available in preprocessor units equipped with the WX option differ from those available in the standard TMS817/818 product. Only external clocking is available in WX supported products. See the *TMS817/818 PCIExpress Support Manual (071-1214-XX)* under *External Clocking* for instructions on connecting the external clock input cable to the 100 MHz clock on the target system.

Self Test

The *Self Test* procedure under *Troubleshooting* is available in preprocessor units equipped with the WX option. However, since there is no internal clock source to drive the preprocessor unit when performing the self test procedure, the external clock input cable must be attached to a 100 MHz clock source. The Data Rate switch can be in either position (2.5 Gbps or 833 Mbps) to perform the self test procedure.

**Preprocessor Unit
(Front Panel)**

The Ext Clock switch has been replaced by the Data Rate switch on the front of the preprocessor unit.

Data Rate Switch. The Data Rate switch (see Figure 1-1) is used to select the rate that the preprocessor unit acquires data from the link. Select the appropriate setting based on whether the link is operating at 2.5 Gbps or 833 Mbps. The preprocessor unit only operates in one of these two modes and requires a manual change of the switch position to acquire data at the other rate. Frequency margining and spread spectrum clocking conditions are supported at these nominal frequency settings.

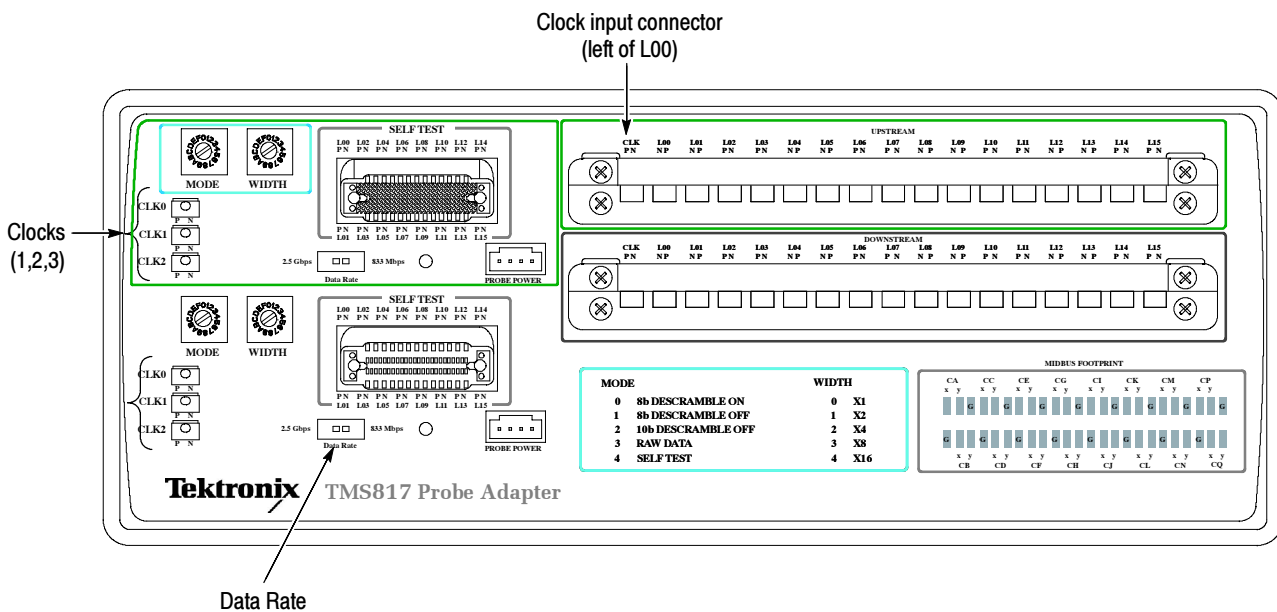


Figure 1 - 1: Adjust the preprocessor unit settings



CAUTION. To prevent damage to the preprocessor unit, you must power off the preprocessor unit before changing any settings.

Table 1 - 1: Preprocessor unit settings

Name	TMS817 settings and connections	TMS818 settings and connections	Description
Data Rate (Spread spectrum slide switch)	2.5 Gbps or 833 Mbps	Same	Use this switch to specify the data rate that the preprocessor unit acquires data from the link.